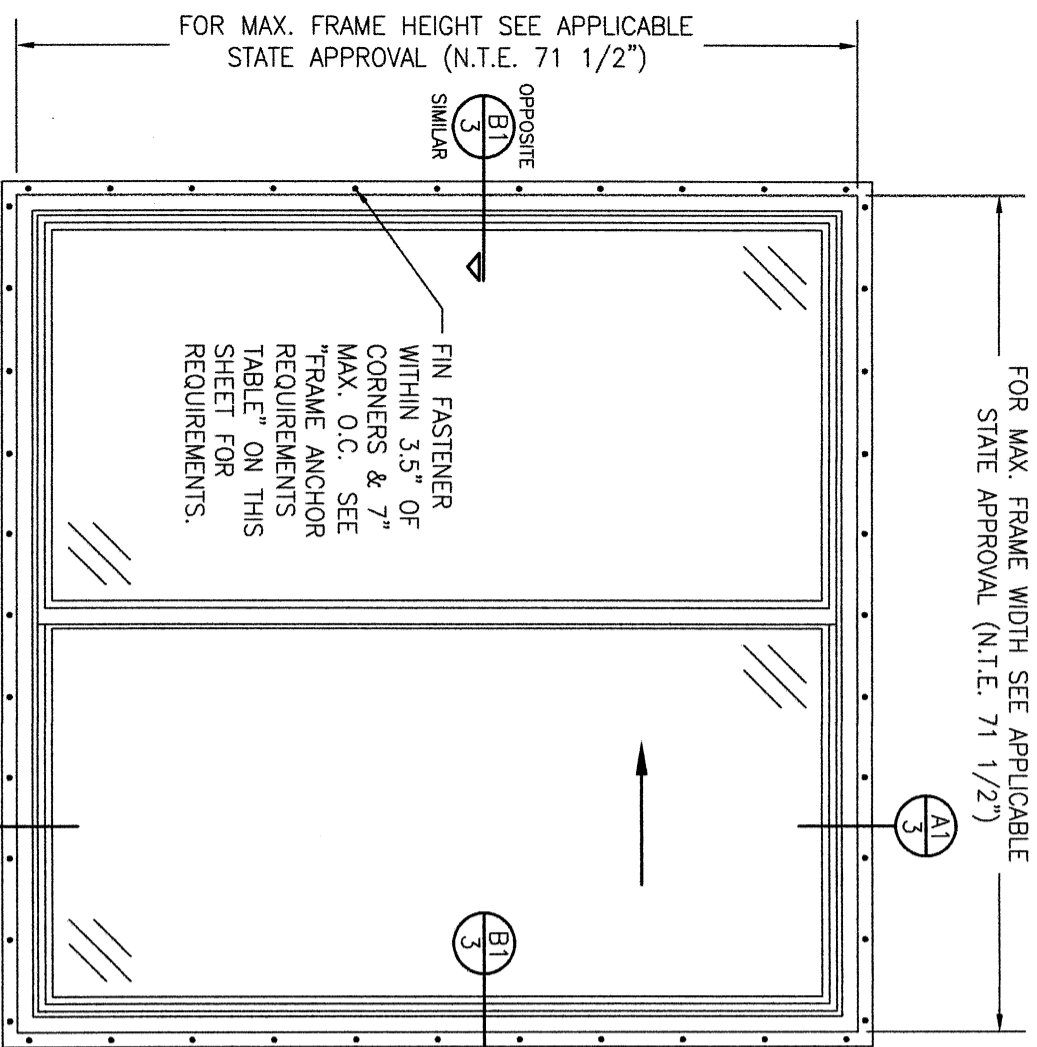


FOR MAX. FRAME WIDTH SEE APPLICABLE STATE APPROVAL (N.T.E. 71 1/2")



**EXTERIOR ELEVATION:  
OX WINDOW**

SCALE: 3/4" = 1'-0"  
(NAIL FIN MOUNT CONDITION)

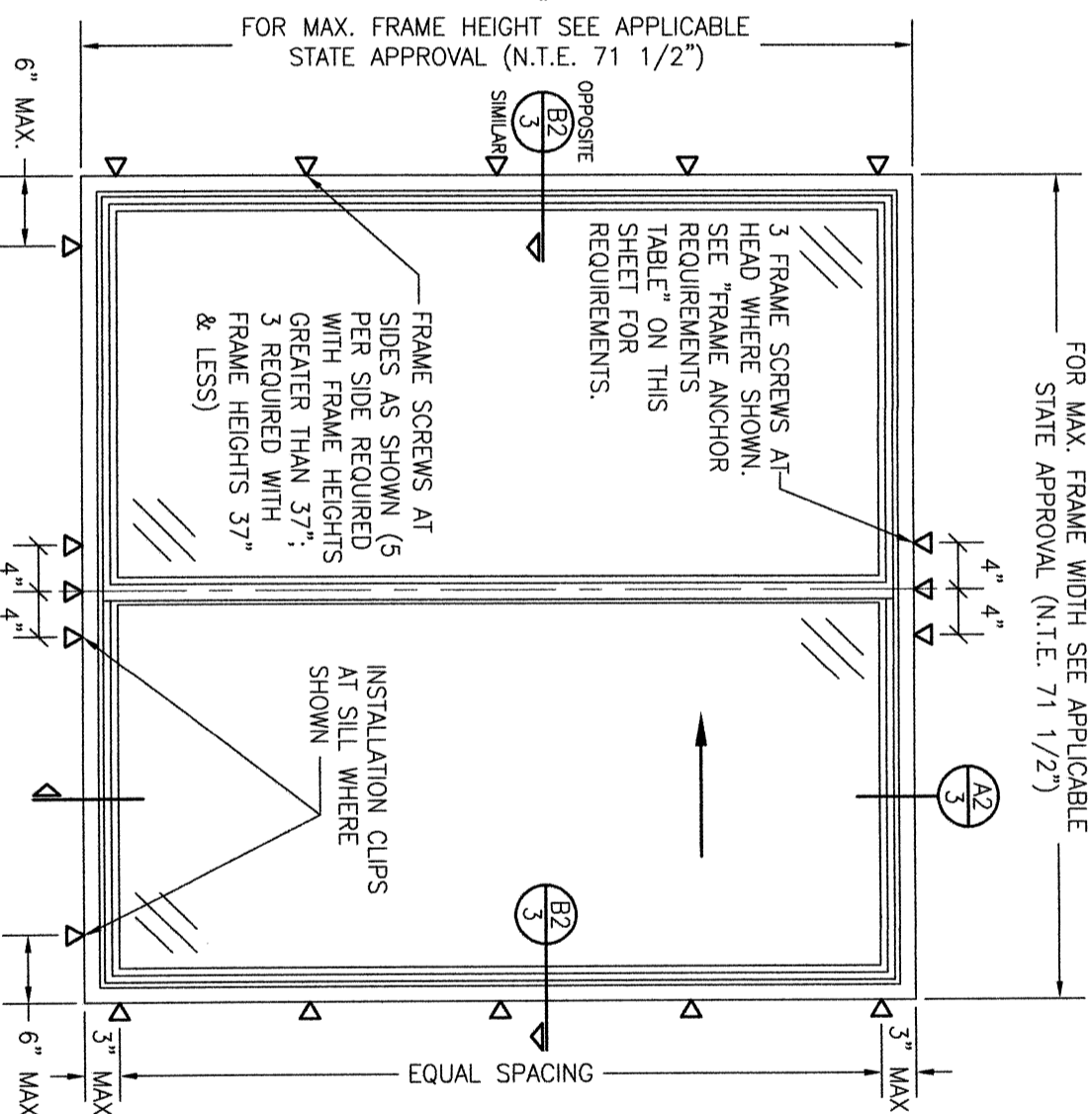
**FRAME ANCHOR REQUIREMENTS TABLE**

(3) FRAME SCREWS

OPENING TYPE (SUBSTRATE)	FRAME TO OPENING FASTENER TYPE	MINIMUM EMBED	MINIMUM EDGE DIST.
MIN. 2X4 WOOD FRAME OR BUCK (MIN. GR. 3 & G=0.55)	NO. 10 SMS OR WOOD SCREW	1 1/4"	3/4"
MIN. 18 GA. 33 KSI METAL STUD	NO. 10 GR. 5 SELF TAP/DRILL SCREW	FULL	1/2"
MIN. 1/8" THK A36 STEEL	NO. 10 GR. 5 SELF TAP/DRILL SCREW	FULL	1/2"
MIN. 1/8" THK 6063-T5 ALUM.	NO. 10 GR. 5 SELF TAP/DRILL SCREW	FULL	1/2"
C-90 CMU/2500 PSI CONCRETE	(1) 1/4" CONCRETE SCREW	1 1/4"	2"
(2) NAILING FIN FASTENERS			
MIN. 2X4 WOOD FRAME OR BUCK (MIN. GR. 3 & G=0.55)	NO. 8 X 1 1/2" SMS	1 3/8"	1/2"
MIN. 2X4 WOOD FRAME OR BUCK (MIN. GR. 3 & G=0.55)	1 1/2" X 11 GA. ROOFING NAIL	1 3/8"	1/2"
MIN. 1/8" THK A36 STEEL	NO. 8 GR. 5 SELF TAP/DRILL SCREW	FULL	1/2"
MIN. 1/8" THK 6063-T5 ALUM.	NO. 8 GR. 5 SELF TAP/DRILL SCREW	FULL	1/2"

- (1) CONCRETE SCREWS SHALL BE ELCO ULTRACONS (C.S.), ELCO CRETE-FLEX (S.S.), ITW RAMSET/RED HEAD TAPCONS (C.S. OR S.S.) OR HILTI KWIK-CON II (C.S. OR S.S.).
- (2) WHEN SCREWS ARE USED WITH THE NAIL FIN, THEY MUST BE A WAFFLE HEAD SCREW OR HAVE A FLAT WASHER AT THE SCREW HEAD.
- (3) FRAME SCREWS MUST BE A PAN OR HEX HEAD SCREW.

FOR MAX. FRAME WIDTH SEE APPLICABLE STATE APPROVAL (N.T.E. 71 1/2")



**EXTERIOR ELEVATION:  
OX WINDOW**

SCALE: 3/4" = 1'-0"  
(FRAME SCREW/CLIP MOUNT CONDITION)

INSTALLATION EVALUATION IS BASED ON APPLICABLE ANCHOR STANDARDS AND/OR INFORMATION & RESULTS FROM APPLICABLE TEST REPORTS. THE FLORIDA BUILDING CODE VERSION CONSIDERED WITH THE EVALUATION WAS THAT IN FORCE AT THE TIME OF THE EVALUATION. IN THE EVENT OF CODE VERSION CHANGES/UPDATES OR IN THE EVENT THAT NEW OR ADDITIONAL TESTING IS COMPLETED ON THE REFERENCED PRODUCT PRIOR TO STATING CODE COMPLIANCE WITH THE STATE, THE MANUFACTURER SHALL CONFIRM WITH THE INSTALLATION EVALUATION ENGINEER OF RECORD THAT THE INSTALLATIONS SPECIFIED HERE-IN ARE CURRENT WITH THE THEN CURRENT TESTING, CODE AND APPLICABLE STANDARDS.

**ALTERNATE ANCHOR/SUBSTRATE EVALUATION NOTE:**  
ALL ALTERNATE ANCHORS IN THEIR SPECIFIED SUBSTRATES HAVE BEEN ANALYZED IN ACCORDANCE WITH THEIR APPLICABLE STANDARD(S) AND ARE FOUND TO BE EQUIVALENT TO OR STRONGER THAN THE ANCHOR(S) USED IN TESTING WITH THIS PRODUCT.

THESE DRAWINGS ARE APPLICABLE ONLY TO THE PRODUCT SPECIFIED. THEY MAY NOT BE USED FOR THE ASSEMBLY AND/OR INSTALLATION OF ANY OTHER PRODUCT NOR MAY THEY BE USED FOR NATIONAL AND/OR LOCAL APPROVAL OF ANY PRODUCT NOT PRODUCED BY THE MANUFACTURER STATED ON THESE DRAWINGS.

**GENERAL NOTES:**

1. ALL FASTENERS SHALL BE IN ACCORDANCE WITH THESE DRAWINGS. SPECIFIED ANCHOR EMBED TO BASE MATERIAL SHALL BE BEYOND WALL FINISH OR STUCCO.
2. OPENINGS, BUCKING & BUCKING FASTENERS MUST BE PROPERLY DESIGNED & INSTALLED TO TRANSFER WIND LOADS TO THE STRUCTURE.
3. THESE NON-IMPACT RATED PRODUCT INSTALLATIONS ARE IN ACCORDANCE WITH AND MEET THE REQUIREMENTS OF THE FLORIDA BUILDING CODE (FBC).
4. ALL ANCHORS SECURING PRODUCT FRAMES TO PRESSURE TREATED BUCKS OR WOOD FRAMING SHALL BE CAPABLE OF RESISTING CORROSION CAUSED BY THE PRESSURE TREATING CHEMICALS IN THE WOOD.
5. MATERIALS, INCLUDING BUT NOT LIMITED TO STEEL SCREWS, THAT COME INTO CONTACT WITH OTHER DISSIMILAR MATERIALS SHALL MEET THE REQUIREMENTS OF FLORIDA BUILDING CODE CHAPTER 20.
6. TO THE BEST OF OUR KNOWLEDGE, THE PRODUCT SHOWN HEREIN IS CERTIFIED & QUALITY ASSURED BY A FLORIDA STATE APPROVED CERTIFICATION/QA ENTITY & SHALL BE LABELED IN ACCORDANCE WITH THE FBC AND THE FLORIDA DEPARTMENT OF BUSINESS & PROFESSIONAL REGULATION SPECIFICATIONS. PRODUCT ASSEMBLY IS NOT PART OF THIS DRAWING AND SHALL BE IN ACCORDANCE WITH THE MANUFACTURER'S QUALITY ASSURANCE SPECIFICATIONS & TESTING REPORTS.
7. CERTIFICATION OF THESE PRODUCT INSTALLATIONS SHALL BE CONSIDERED VOID IF ANY OF THE FOLLOWING APPLY: 1) PRODUCT IS INSTALLED WITHOUT A BUILDING PERMIT FROM THE APPLICABLE LOCAL BUILDING DEPARTMENT. 2) PRODUCT IS INSTALLED BY ANYONE OTHER THAN A LICENSED CONTRACTOR EXPERIENCED WITH INSTALLATIONS OF THIS TYPE OF PRODUCT. 3) IF CHANGES HAVE OCCURRED TO THE PRODUCT'S CERTIFICATION ENTITY'S CERTIFICATE THAT CAUSE THESE INSTALLATIONS TO BE INCORRECT OR INCONSISTENT WITH WHAT HAS BEEN TESTED.
8. THE LEAST DESIGN PRESSURE SPECIFIED EITHER IN THIS DRAWING OR IN THE PRODUCT'S CERTIFICATION SHALL CONTROL FOR THE INSTALLED PRODUCT.
9. THESE DRAWINGS CERTIFY THE PRODUCT INSTALLATION ONLY. WATER PROOFING OF THE INSTALLED PRODUCT IS NOT PART OF THIS INSTALLATION CERTIFICATION. THAT RESPONSIBILITY SHALL BE THAT OF THE MANUFACTURER &/OR INSTALLER.

**ALLOWABLE DESIGN PRESSURE**

MAX. FRAME WIDTH (IN.)	MAX. FRAME HEIGHT (IN.)	ALLOWABLE PRESSURE (+/- PSF)
47.5	47.5	50
71.5	36.75	50
71.5	59.5	40
71.5	71.5	30
XOX WINDOWS		
96.25	36.75	50
107.5	59.5	30
124.25	59.5	25

CONDITIONS SHOWN ON THIS DRAWING ARE GOVERNED BY INSTALLATION REQUIREMENTS ONLY. THE GOVERNING CONDITIONS ON ANY SPECIFIC WINDOW SHALL BE THE LESSER OF THOSE SPECIFIED IN THE WINDOWS TDI APPROVAL OR THAT SHOWN IN THESE DRAWINGS.

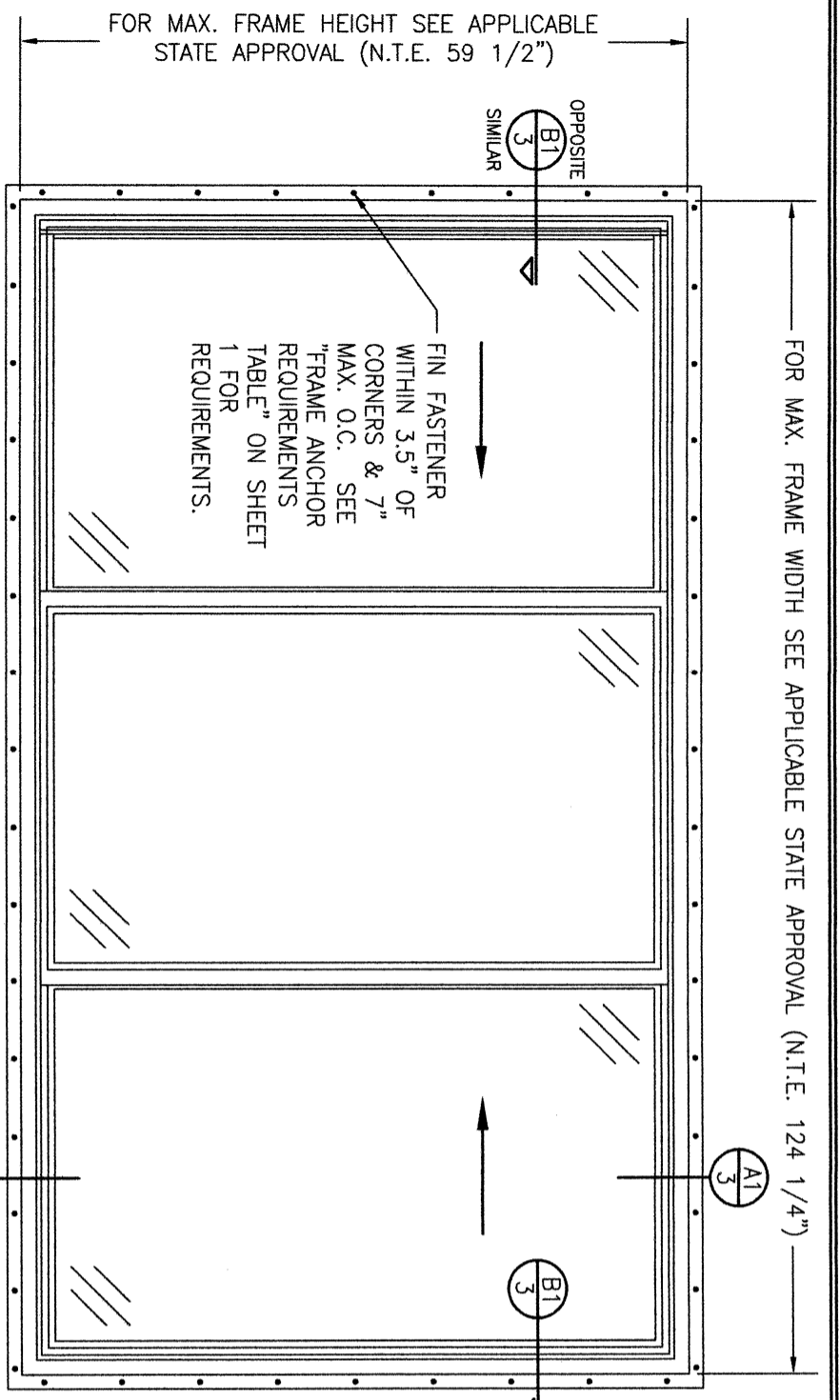
NO.	REVISION DESCRIPTION	BY	DATE
B1	UPDATE PER NEW TESTING	W.R.M.	06/25/12
C1	UPDATE TO CURRENT STANDARDS & NEW TESTING	W.W.S.	04/08/15
D1	ADD MISSING NAIL FIN AT SILL	W.W.S.	03/04/20
E1	UPDATE PER NEW TESTING	W.W.S.	01/09/23
F1	UPDATE PER NEW TESTING	W.W.S.	06/16/23

**DRAWING TITLE: IMPERVIA NON-IMPACT SLIDING WINDOW**

CONSULTANTS: **W. W. SCHAEFER ENGINEERING & CONSULTING, P.A. (CA 6809)**  
26376 NADIR ROAD; UNIT 309  
PUNTA GORDA, FL 33983  
PHONE: 561-744-3424

MANUFACTURER: **PELLA CORPORATION**  
102 MAIN STREET  
PELLA, IA 50219  
641-621-1000

CERTIFICATION: **WARREN W. SCHAEFER, P.E.**  
P.E. NO. 44135



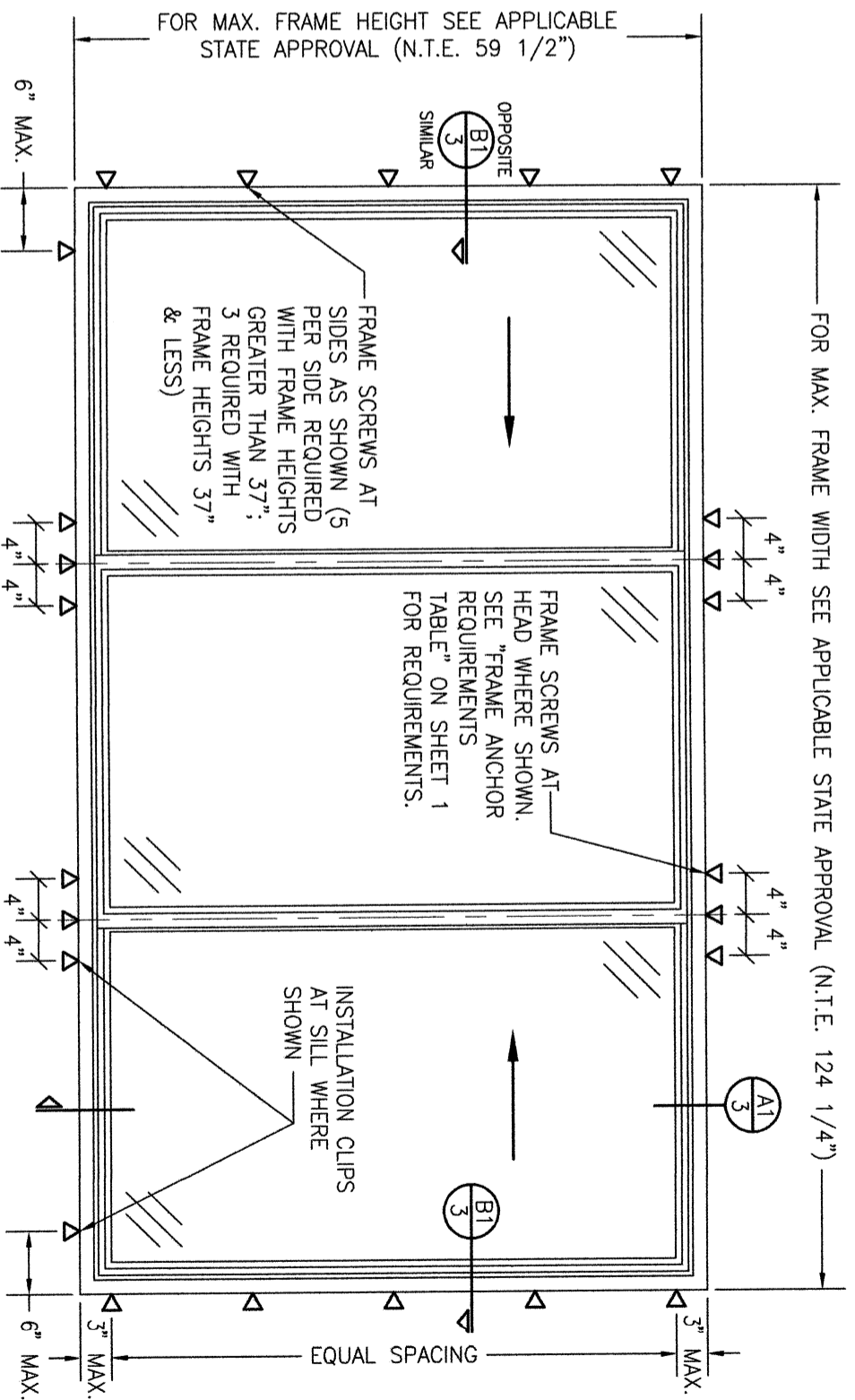
FOR MAX. FRAME WIDTH SEE APPLICABLE STATE APPROVAL (N.I.E. 124 1/4")

OPPOSITE  
SIMILAR

FIN FASTENER WITHIN 3.5" OF CORNERS & 7" MAX. O.C. SEE "FRAME ANCHOR REQUIREMENTS TABLE" ON SHEET 1 FOR REQUIREMENTS.

**EXTERIOR ELEVATION:  
XOX WINDOW**  
SCALE: 3/4" = 1'-0"  
(NAIL FIN MOUNT CONDITION)

**ALLOWABLE DESIGN PRESSURE**  
SEE TABLE ON SHEET 1



FOR MAX. FRAME HEIGHT SEE APPLICABLE STATE APPROVAL (N.I.E. 59 1/2")

OPPOSITE  
SIMILAR

FRAME SCREWS AT SIDES AS SHOWN (5 PER SIDE REQUIRED WITH FRAME HEIGHTS GREATER THAN 37"; 3 REQUIRED WITH FRAME HEIGHTS 37" & LESS)


FOR MAX. FRAME WIDTH SEE APPLICABLE STATE APPROVAL (N.I.E. 124 1/4")

FRAME SCREWS AT HEAD WHERE SHOWN. SEE "FRAME ANCHOR REQUIREMENTS TABLE" ON SHEET 1 FOR REQUIREMENTS.

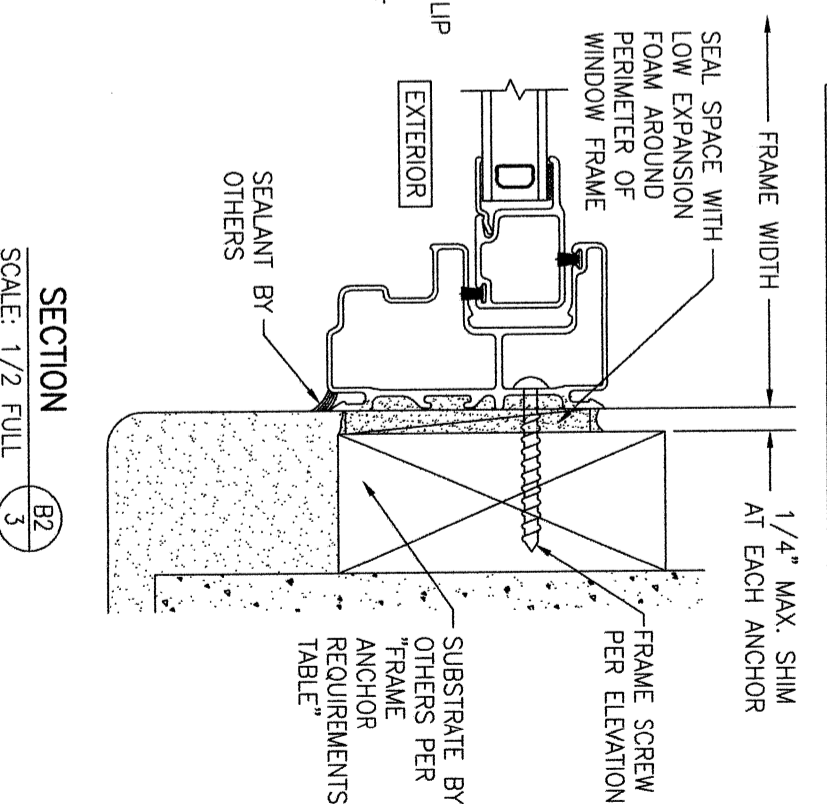
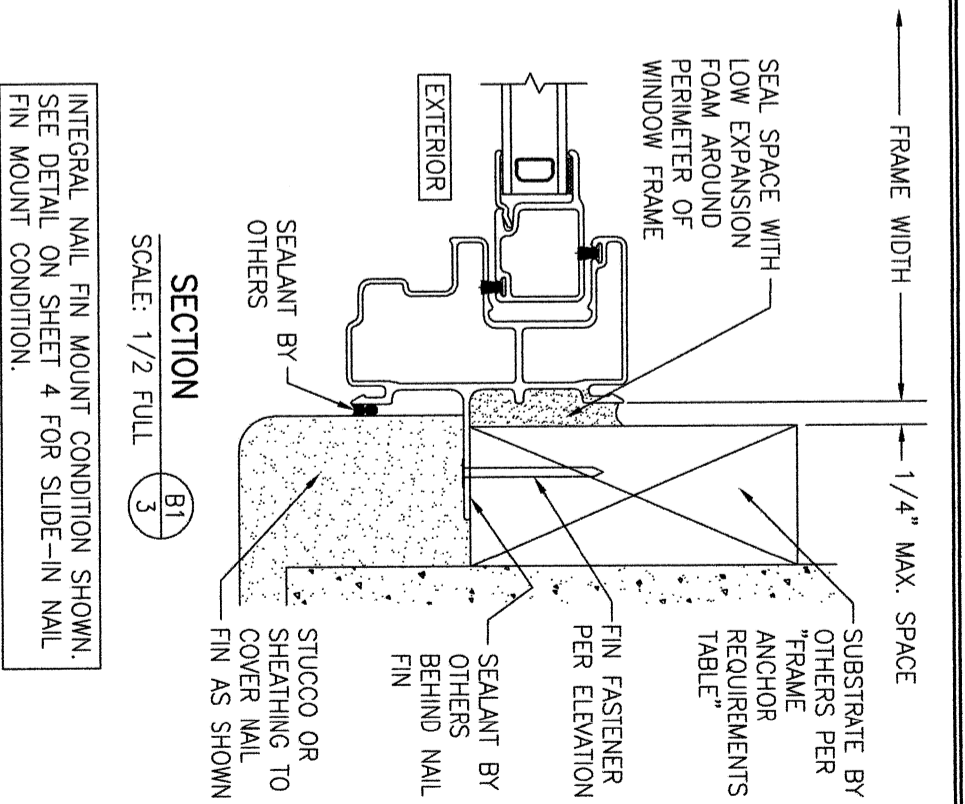
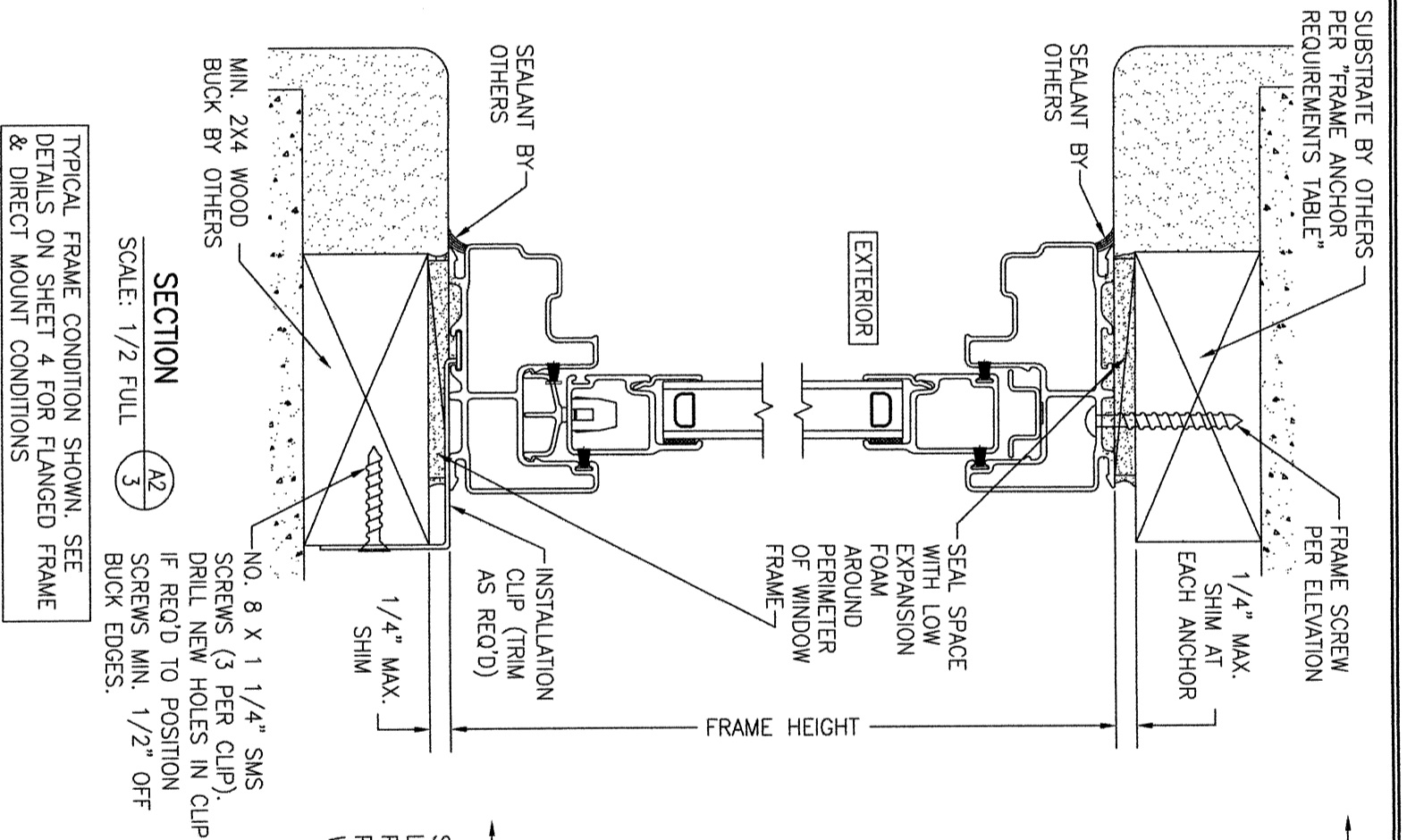
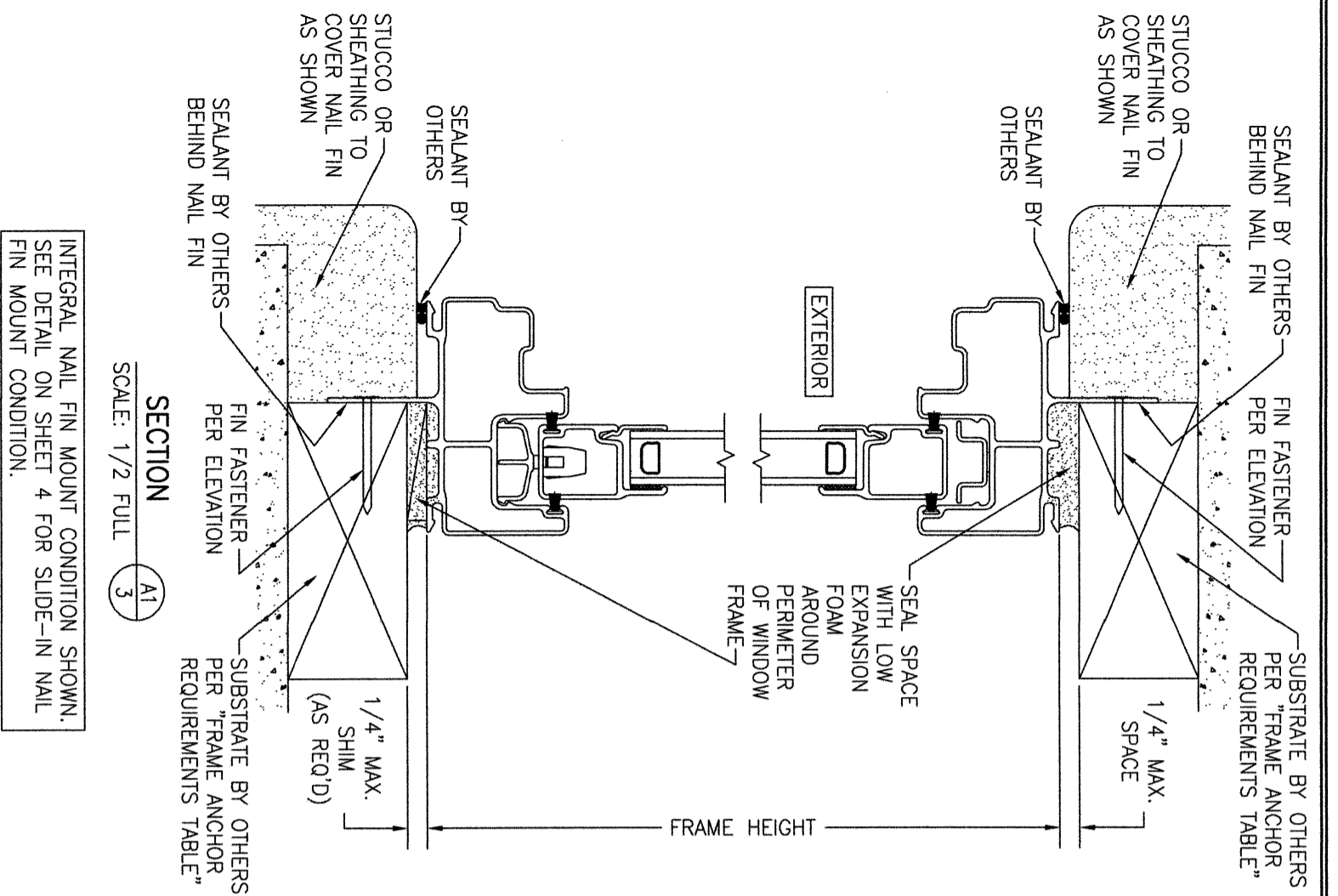
INSTALLATION CLIPS AT SILL WHERE SHOWN

**EXTERIOR ELEVATION: XOX WINDOW**  
SCALE: 3/4" = 1'-0"  
(FRAME SCREW/CLIP MOUNT CONDITION)

NO.	REVISION	DESCRIPTION	BY	DATE

DRAWING TITLE <b>IMPERVIA NON-IMPACT SLIDING WINDOW</b>		DRAWN BY: W.A.M.	CHECKED BY: M.W.S.
CONSULTANTS <b>W. W. SCHAEFER ENGINEERING &amp; CONSULTING, P.A. (CA 6809)</b> 26376 NADIR ROAD; UNIT 309 PUNTA GORDA, FL 33983 PHONE: 561-744-3424	MANUFACTURER  <b>PELLA CORPORATION</b> 102 MAIN STREET PELLA, IA 50219 641-621-1000	DATE: 04/01/08	

CERTIFICATION WARREN W. SCHAEFER, P.E. P.E. NO. 44135	DRAWING NO.: <b>1655</b> REV. <b>F</b>	SHEET NO. <b>2</b> OF <b>4</b>
---	---	-----------------------------------



INTEGRAL NAIL FIN MOUNT CONDITION SHOWN. SEE DETAIL ON SHEET 4 FOR SLIDE-IN NAIL FIN MOUNT CONDITION.

TYPICAL FRAME CONDITION SHOWN. SEE DETAILS ON SHEET 4 FOR FLANGED FRAME & DIRECT MOUNT CONDITIONS.

TYPICAL FRAME CONDITION SHOWN. SEE DETAILS ON SHEET 4 FOR FLANGED FRAME & DIRECT MOUNT CONDITIONS.

NO.	REVISION	DESCRIPTION	BY	DATE
1-2				

DRAWING TITLE  
**IMPERVIA NON-IMPACT SLIDING WINDOW**

CONSULTANTS  
**W. W. SCHAEFER ENGINEERING & CONSULTING, P.A. (CA 6809)**  
26376 NADIR ROAD, UNIT 309  
PUNTA GORDA, FL 33983  
PHONE: 561-744-3424

MANUFACTURER



**PELLA CORPORATION**  
102 MAIN STREET  
PELLA, IA 50219  
641-621-1000

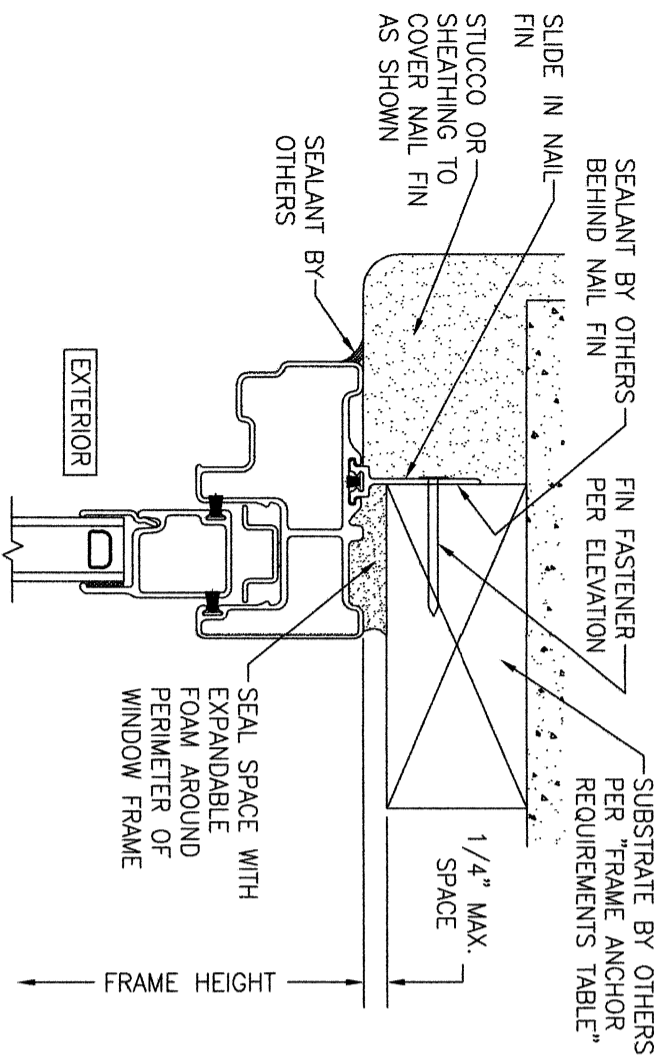
CERTIFICATION

WARREN W. SCHAEFER, P.E.  
P.E. NO. 44135

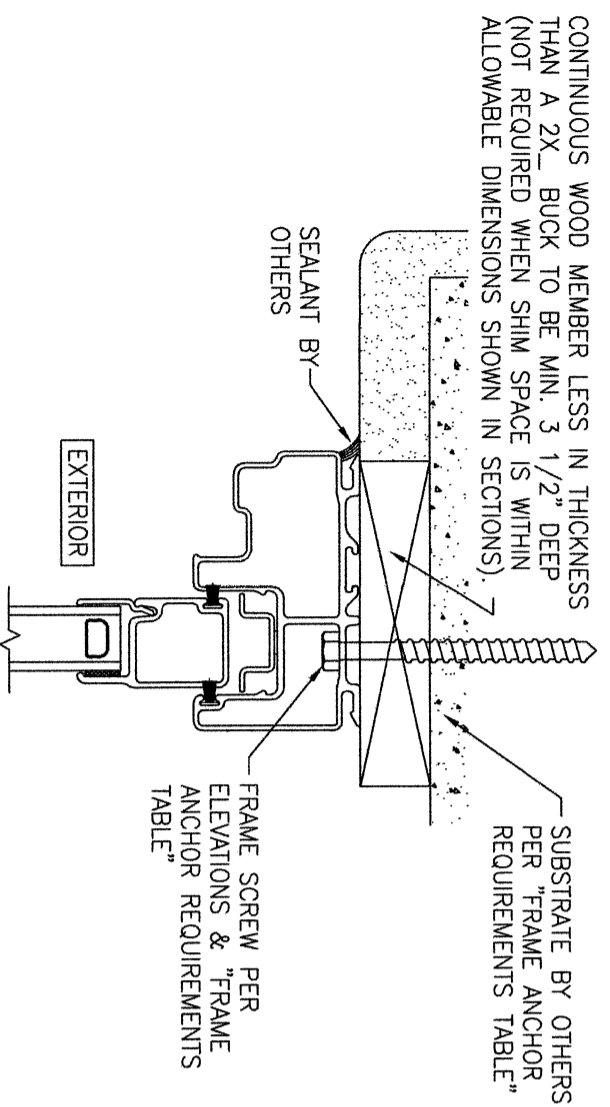
DRAWING NO. REV.  
**1655 F**

SHEET NO.  
**3** OF **4**

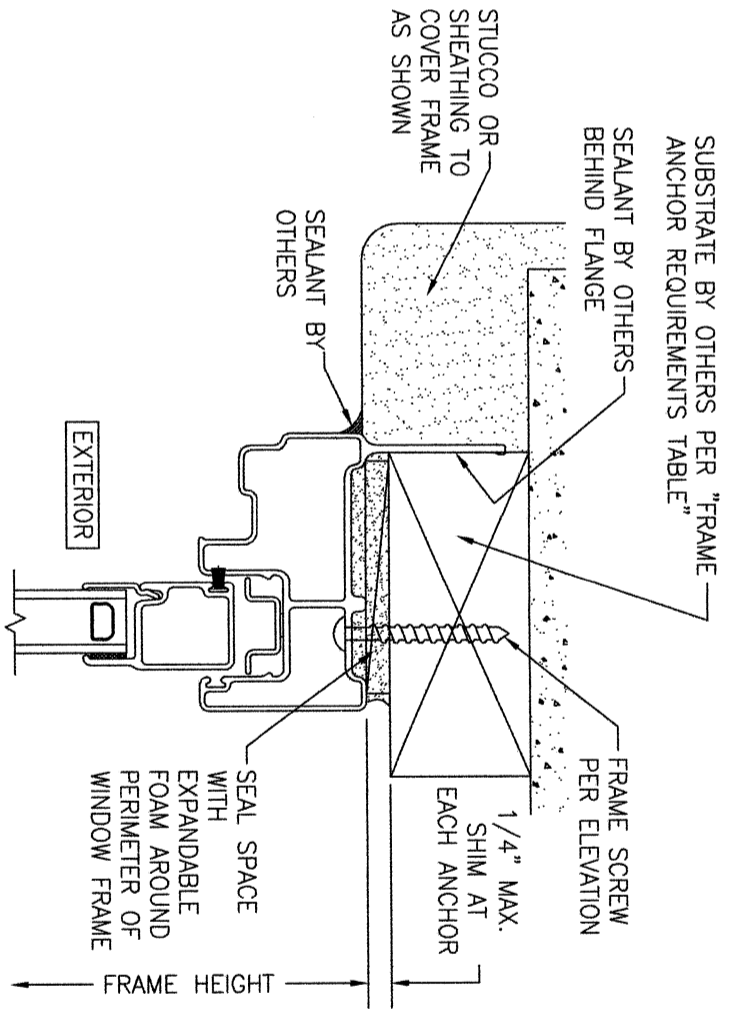
DRAWN BY: W.R.M.  
CHECKED BY: W.M.S.  
DATE: 04/01/08



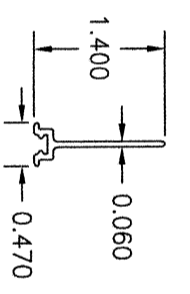
**OPTIONAL SLIDE-IN NAIL FIN INSTALLATION DETAIL**  
 (HEAD SECTION SHOWN. SILL & SIDES ARE INSTALLED THE SAME)



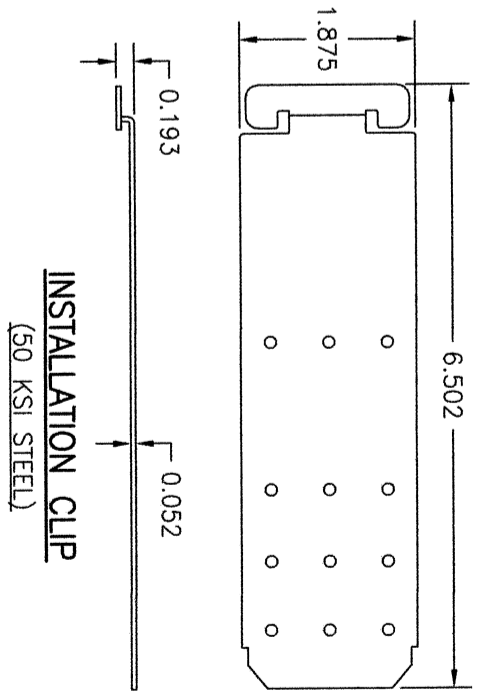
**OPTIONAL DIRECT MOUNT DETAIL TO SUBSTRATE WITH SPACER**  
 (HEAD SECTION SHOWN. SIDES ARE INSTALLED THE SAME)



**OPTIONAL FLANGED FRAME INSTALLATION DETAIL**  
 (HEAD SECTION SHOWN. SIDES ARE INSTALLED THE SAME)




**RIGID PVC SLIDE-IN NAIL FIN**



**INSTALLATION CLIP (50 KSI STEEL)**

NO.	REVISION	DESCRIPTION	BY	DATE

**DRAWING TITLE**  
 IMPERVIA NON-IMPACT SLIDING WINDOW

<b>CONSULTANTS</b> <b>W. W. SCHAEFER ENGINEERING &amp; CONSULTING, P.A. (CA 6809)</b> 26376 NADIR ROAD; UNIT 309 PUNTA GORDA, FL 33983 PHONE: 561-744-3424	<b>MANUFACTURER</b>  <b>PELLA CORPORATION</b> 102 MAIN STREET PELLA, IA 50219 641-621-1000
--	---

**CERTIFICATION**  
 WARREN W. SCHAEFER, P.E.  
 P.E. NO. 44135

**DRAWING NO.**  
 1655

**REV.**  
 F

**SHEET NO.**  
 4 OF 4